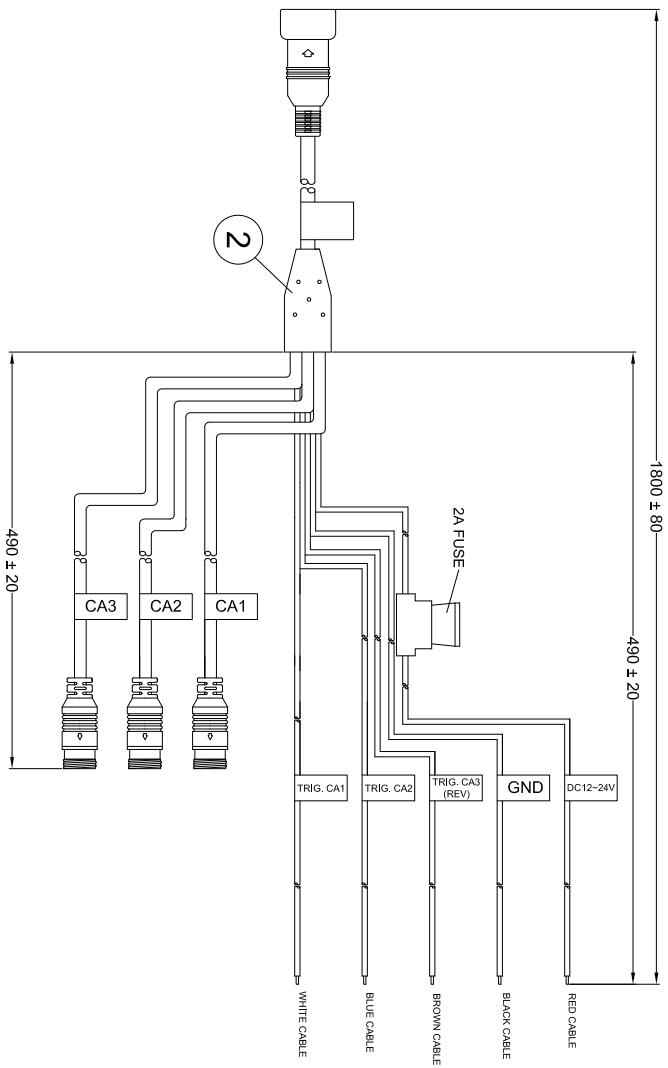
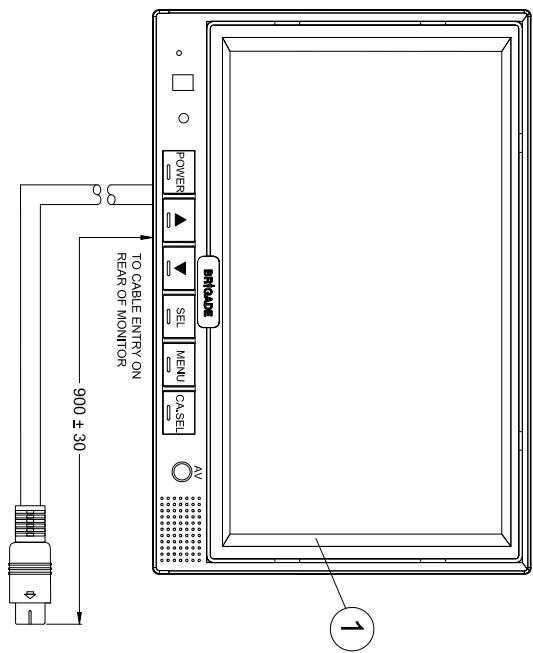


ITEM	PART NO.	QTY	MODEL/DESCRIPTION
1	(3354B)	1	VBV-770DM-4M MONITOR
2	(3662)	1	VBV-770DM-SCA CABLE ADAPTER
3	(3195A)	1	VBV-770DM-SS SUNSHIELD (NOT SHOWN)
4	(3148A)	1	BMM-015 VBV MONITOR BRACKET (SHORT) (NOT SHOWN)
5	(3985A)	1	VBV-770DM-S-IG INSTALLATION GUIDE (NOT SHOWN)
6	(3199)	1	BMM-018 'U' BRACKET (NOT SHOWN)



- NOTES:**
1. REFER TO COMPONENT DRAWINGS FOR COMPONENT DETAIL.
  2. FOR GIFTBOX LABEL REFER TO LATEST REVISION OF DRAWING BE-002433-XX-13.
  3. FOR GIFTBOX SERIAL NUMBER LABEL REFER TO LATEST REVISION OF DRAWING BE-001323-XX-10.
  4. PURCHASE ORDER TO DEFINE PACKAGING VARIANT.
  5. REFER TO LATEST REVISION OF DRAWING BE-001861-XX-11 FOR PACKAGING DETAIL.

**PROPRIETARY NOTICE**  
 THIS DESIGN AND TECHNICAL INFORMATION APPEARING ON THIS DRAWING IS THE PROPERTY OF BRIGADE ELECTRONICS, AND IS DISCLOSED IN CONFIDENCE. IT IS NOT TO BE COPIED, REPRODUCED, REVEALED TO OR EXPLOITED BY OTHERS, EITHER IN WHOLE OR IN PART WITHOUT THE EXPRESS WRITTEN CONSENT OF BRIGADE ELECTRONICS.

**BRIGADE**  
 www.brigade-electronics.com

Angle of Projection Third Angle		Assembly Pl Approval XINYU HUANG 12/07/13		Approved by B. JOHN		Checked by RBATES		Drawn by MBUTLER	
Status RELEASED		Scale N/A		Released 12/07/13		Assembly Ref 13101004/002		VBV-770DM-S	
Part No. 3984B		BE-002434-00-13							